

Silicon PNP Power Transistors

2SA1195

DESCRIPTION

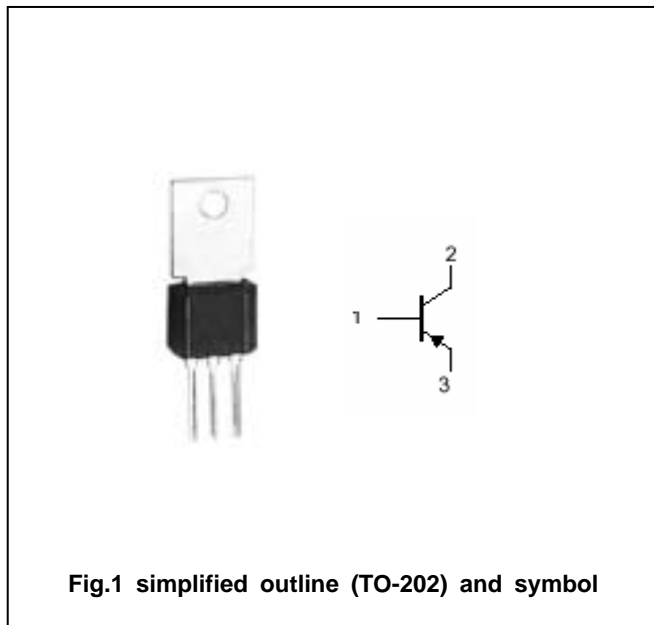
- With TO-202 package
- High power dissipation
- Complement to type 2SC2483

APPLICATIONS

- For high voltage and general purpose amplification

PINNING(see Fig.2)

| PIN | DESCRIPTION |
|-----|-------------|
| 1 | Base |
| 2 | Collector |
| 3 | Emitter |



Absolute maximum ratings (Ta=25)

| SYMBOL | PARAMETER | CONDITIONS | VALUE | UNIT |
|-----------|-----------------------------|----------------|---------|------|
| V_{CBO} | Collector-base voltage | Open emitter | -160 | V |
| V_{CEO} | Collector-emitter voltage | Open base | -160 | V |
| V_{EBO} | Emitter-base voltage | Open collector | -6 | V |
| I_C | Collector current | | -1.5 | A |
| I_B | Base current | | -0.5 | A |
| P_C | Collector power dissipation | $T_a=25$ | 2 | W |
| | | $T_C=25$ | 15 | |
| T_j | Junction temperature | | 175 | |
| T_{stg} | Storage temperature | | -55~150 | |

Silicon PNP Power Transistors

2SA1195

CHARACTERISTICS

T_j=25 unless otherwise specified

| SYMBOL | PARAMETER | CONDITIONS | MIN | TYP. | MAX | UNIT |
|----------------------|--------------------------------------|--------------------------------------------------|-----|------|------|------|
| V _{(BR)CEO} | Collector-emitter breakdown voltage | I _C =-10mA; I _B =0 | 160 | | | V |
| V _{CEsat} | Collector-emitter saturation voltage | I _C =-500mA; I _B =-50mA | | | -1.0 | V |
| V _{BE} | Base-emitter on voltage | I _C =-5mA; V _{CE} =-5V | | | -0.7 | V |
| h _{FE-1} | DC current gain | I _C =-200mA; V _{CE} =-5V | 60 | | 200 | |
| h _{FE-2} | DC current gain | I _C =-500mA; V _{CE} =-5V | 40 | | | |
| I _{CBO} | Collector cut-off current | V _{CB} =-150V; I _E =0 | | | -1 | μA |
| I _{EBO} | Emitter cut-off current | V _{EB} =-6V; I _C =0 | | | -1 | μA |
| C _{OB} | Output capacitance | I _E =0; V _{CB} =-10V; f=1MHz | | | 35 | pF |
| f _T | Transition frequency | I _E =-100mA; V _{CB} =-5V | 15 | 50 | | MHz |

◆ h_{FE} classifications

| R | O |
|--------|---------|
| 60-120 | 100-200 |

Silicon PNP Power Transistors

2SA1195

PACKAGE OUTLINE

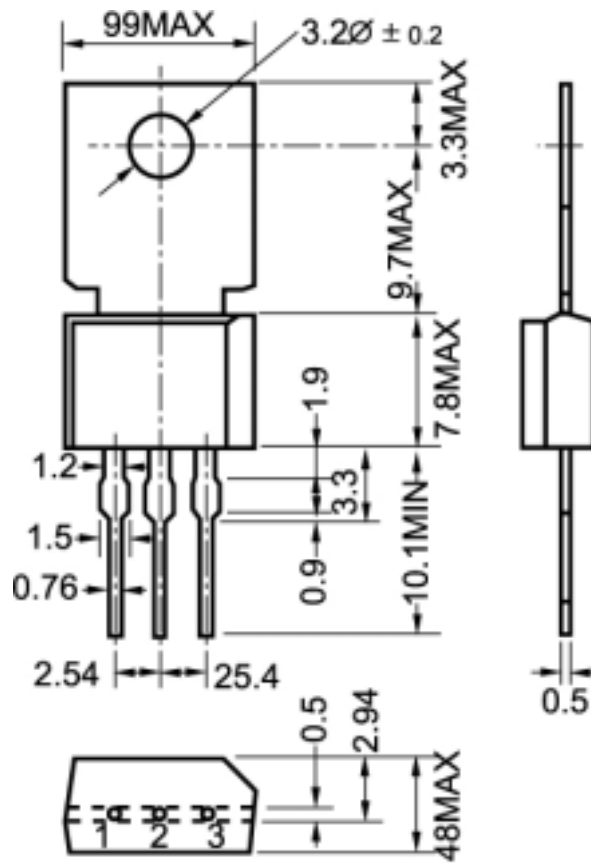


Fig.2 outline dimensions